

N550H Excel single extension Easy-Fix

Benefits for the industry

- Large range of standard depths from 250 to 550 mm
- Small extensions loss due to compact build
- Very tolerant due to built-in flexibility
- New generation of SlowMotion^{FR} damping with stop-close feature and FinalRelease feature to always guarantee drawer closure also under adverse conditions
- Easy-Fix rapid fixing for ease of assembly and integrated anti-lift feature
- Quick and easy front height adjustment without disassembly of the drawer
- Excellent load ability with 25kg dynamic standard load capacity throughout the range

Benefits for the consumer

- Smooth functioning thanks to new generation of wheel design
- Lasting quality thanks to optimised materials
- Hidden assembly for high quality perception of the whole cabinet
- Adaptive SlowMotion^{FR} damping for noiseless closing
- High-end OneTouch handleless operation

Code

54.N550.H7.25*.0000

54.N550.H7.30*.0000

54.N550.H7.35*.0000

54.N550.H7.40*.0000

54.N550.H7.45*.0000

54.N550.H7.50*.0000

54.N550.H7.55*.0000

Description

Excel N550H for 250mm deep drawer (1 set)

Excel N550H for 300mm deep drawer (1 set)

Excel N550H for 350mm deep drawer (1 set)

Excel N550H for 400mm deep drawer (1 set)

Excel N550H for 450mm deep drawer (1 set)

Excel N550H for 500mm deep drawer (1 set)

Excel N550H for 550mm deep drawer (1 set)

Packing

Industrial

Industrial

Industrial

Industrial

Industrial

Industrial

Industrial

* closing system: 0 = Self-Closing / Y = SlowMotion / P = OneTouch.

Industrial packing composed by:

- 1 box of 24 right profiles
- 1 box of 24 left profiles
- 1 box of 48 Easy-Fix devices.



Easy-Fix



OneTouch

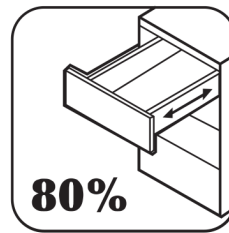
Handleless cabinets are part of modern furniture design. FGV OneTouch technology is precise, reliable and works over a large range of drawer width.



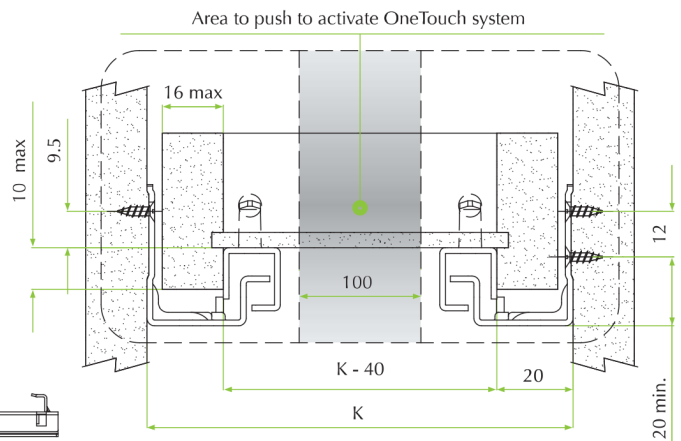
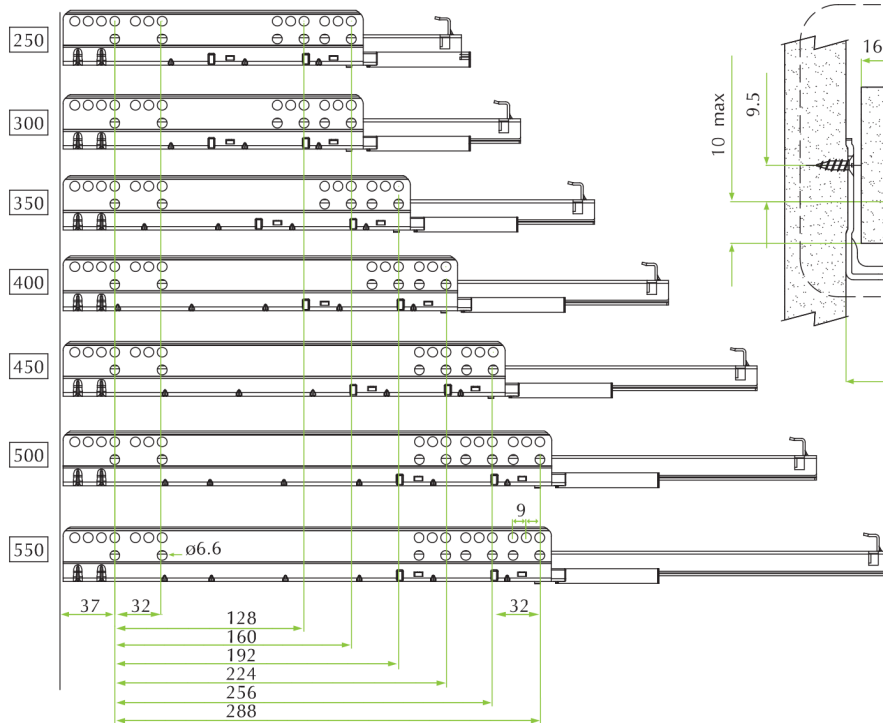
SlowMotion^{FR}

All new adaptive stop close damping device ensures a strong damping force and perfect closing of the drawer in every condition.

Excel single extension

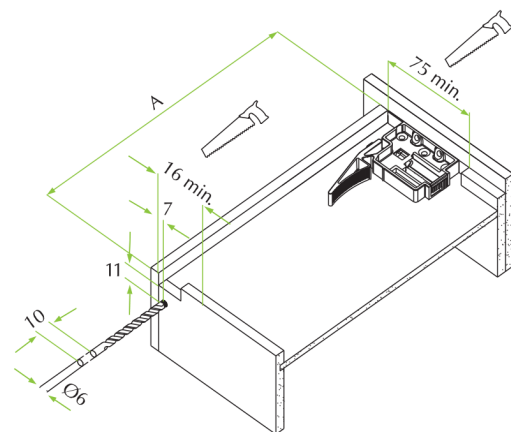
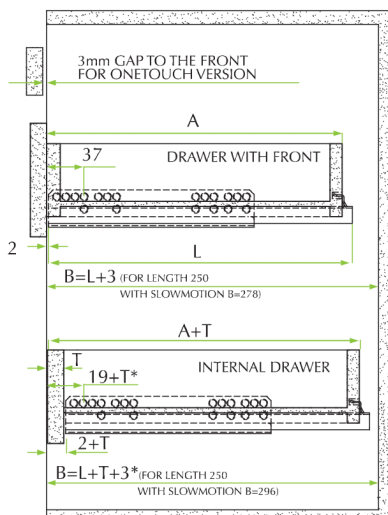


Slides fixing dimensions



- L** = EXCEL SLIDE NOMINAL LENGTH
- A** = DRAWER DEPTH
- B** = CABINET INTERNAL DEPTH
- K** = CABINET INTERNAL WIDTH
- AV** = EXTENSION LOSS
- * = +3mm with OneTouch slide
(The OneTouch system is guaranteed for drawers with width max 600mm)

Drawer mounting & dimensions



L	260*	310	360	410	460	510	560
A	250	300	350	400	450	500	550
AV	78.5	78.5	98.5	118.5	118.5	118.5	138.5

Values given in mm